

Specifications

Wafer

備注 (Remark)

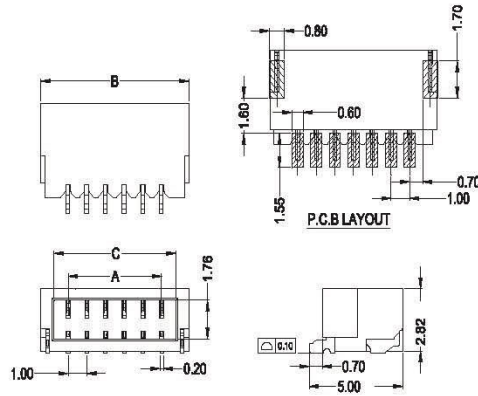
1. 材料 (Material)

膠芯: HTN/PA9T UL94V-0

Housing: HTN/PA9T UL94V-0

端子: 黃銅

Contact: Brass



KWC1004-SR-XX

Poles	Dimensions (mm)			Poles	Dimensions (mm)		
	A	B	C		A	B	C
02	1.00	3.90	2.50	12	11.00	13.90	12.50
03	2.00	4.90	3.50	13	12.00	14.90	13.50
04	3.00	5.90	4.50	14	13.00	15.90	14.50
05	4.00	6.90	5.50	15	14.00	16.90	15.50
06	5.00	7.90	6.50	16	15.00	17.90	16.50
07	6.00	8.90	7.50	17	16.00	18.90	17.50
08	7.00	9.90	8.50	18	17.00	19.90	18.50
09	8.00	10.90	9.50	19	18.00	20.90	19.50
10	9.00	11.90	10.50	20	19.00	21.90	20.50
11	10.00	12.90	11.50				

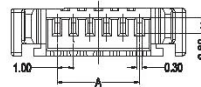
Housing

備注 (Remark)

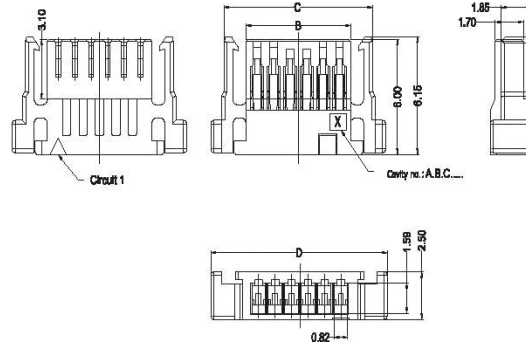
1. 材料 (Material)

膠芯: PA66 UL94V-0

Housing: PA66 UL94V-0



KWH1004-XX



Poles	Dimensions (mm)				Poles	Dimensions (mm)			
	A	B	C	D		A	B	C	D
02	1.00	2.30	6.00	6.60	12	11.00	12.30	15.00	16.60
03	2.00	3.30	6.00	7.60	13	12.00	13.30	16.00	17.60
04	3.00	4.30	7.00	8.60	14	13.00	14.30	17.00	18.60
05	4.00	5.30	8.00	9.60	15	14.00	15.30	18.00	19.60
06	5.00	6.30	9.00	10.60	16	15.00	16.30	19.00	20.60
07	6.00	7.30	10.00	11.60	17	16.00	17.30	20.00	21.60
08	7.00	8.30	11.00	12.60	18	17.00	18.30	21.00	22.60
09	8.00	9.30	12.00	13.60	19	18.00	19.30	22.00	23.60
10	9.00	10.30	13.00	14.60	20	19.00	20.30	23.00	24.60
11	10.00	11.30	14.00	15.60					

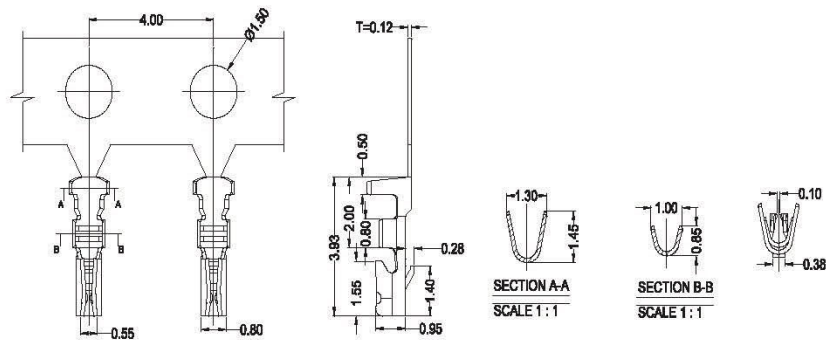
Terminal

備注 (Remark)

1. 材料 (Material)

端子: 磷青銅

Contact: Phosphor bronze



KWT1004